



Description: stand-alone squared **emergency lighting fitting**, direct light LED, suitable for ceiling installation.

Body: unbreakable and self-extinguishing UV-stabilized **white polycarbonate** body.

Gruppo ottico: **PMMA** optics for the emergency lighting, large beam distribution. Protection degree **IP41**.

Wiring: Feeding at 220-240Vac 50/60Hz; batteries Ni-Cd 3,6V included. Insulation class II. It is suitable for the installation on normally inflammable surfaces.



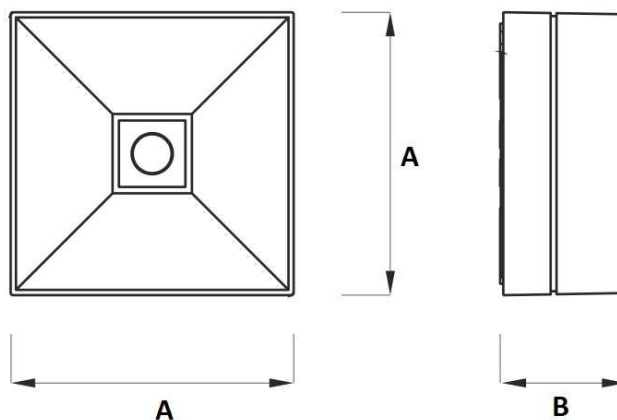
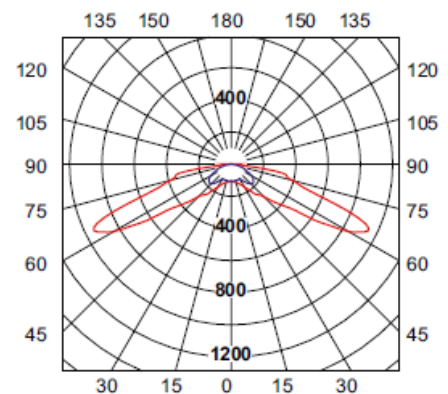
- **CEM-SE** version: with "emergency only" wiring (the lamp lights up only when there is a blackout). 1 or 3 hours autonomy, battery recharge time 24h.
- **CEM-SE/SA** version: (it is possible to select the functioning mode of the device, namely **SE** – emergency only – or **SA** – always turned on). 1 or 3 hours autonomy, battery recharge time 24h.
- **AUTOTEST (CEM-SE/SA.AT)** version: 1 or 3 hours autonomy, battery recharge time 12h. Two tests are executed automatically:
 - Test 1** (executed monthly): it verifies the functioning of the emergency regime for 5 minutes; it verifies the discharge current of the battery as well as the minimum voltage of the battery.
 - Test 2** (executed annually): it verifies the functioning of the emergency regime for all its autonomy; it verifies the discharge current of the battery as well as the minimum voltage of the battery.

Luminous sources:

High efficiency LED modules, colour temperature 6000K, recommended Ta.: between 0°C and +40°C.

Regulations: luminaire in conformity with:

- EN 60598, electrical safety
- EN 55015, EN 61000, electromagnetic compatibility
- EN 60529, protection degree
- EN 1838, emergency lighting
- EN 61347, electrical feeding



W	Source	Effective flux (lumen)	Dimensions [mm]		
			A	B	C
1	LED	140	132	54	-
2	LED	240	132	54	-
3	LED	340	132	54	-

Codes/Wirings			
CEM-SE AUT.1H	CEM-SE/SA AUT.1H	CEM-SE AUT.3H	CEM-SE/SA AUT.3H
401400001	401400002	401400009	401400008
-	401400003	-	401400010
-	401400004	-	401400011

W	Source	Effective flux (lumen)	Dimensions [mm]		
			A	B	C
1	LED	140	132	54	-
2	LED	250	132	54	-
3	LED	370	132	54	-

Codes/Wirings			
CEM-SE/SA.AT AUT.1H	CEM-SE/SA.AT AUT.3H	-	-
401400005	401400012	-	-
401400006	401400013	-	-
401400007	401400014	-	-